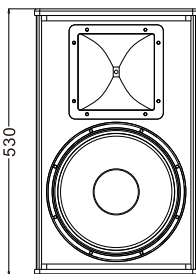
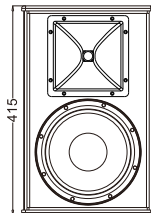


DC-60



DC-50



DC-30

PROFESSIONAL SPEAKER

使用说明书

Operating Instructions



SAFETY OPERATING PRECAUTIONS	— 2
注意事项	
INSTALLATION	— 3
安装	
CONNECTIONS	— 4
连接件	
MOTES ABOUT LOW IMPEDANCE CONNECTIONS	— 5
标称阻抗连接的注意事项	
PRODUCT SIZE	— 6
产品尺寸	
SPECIFICATIONS	— 7
技术参数	



IMPORTANT NOTES

Before connecting and using product please read this instruction manual carefully and keep it on hand for future reference. This manual is to be considered an integral part of this product installation and use as well as well as for the safety precautions.

CAV will not assume any responsibility for the incorrect installation and/or use of this product.

WARNING: To prevent the risk of fire or electric shock, never expose this loudspeaker to rain or humidity and also dust.

SAFETY AND OPERATING PRECAUTIONS

- All the precautions, in particular the safety ones, must be read with special attention, as they provide important information.
- Loudspeaker lines (amplifier outputs) can have a sufficiently high voltage to involve a risk of electrocution: never install or connect this loudspeaker when amplifiers are switched on.
- Make sure all connections have been made correctly and the loudspeaker input impedance is suitable for the amplifier output.
- Protect loudspeaker lines from damage; make sure they are positioned in a way that they cannot be stepped on or crushed by objects.
- Make sure that no objects or liquids can get into this product, as this may cause a short circuit.
- Never attempt to carry out any operations, modifications or repairs that are not expressly described in this manual. Contact your authorized service centre or qualified personnel should any of the following occur:
 - The loudspeaker does not function (or works in an anomalous way).
 - The cable has been damaged.
 - Objects or liquids are inside the loudspeaker.
 - The loudspeaker has been damaged due to heavy impacts or fire.
- Should the loudspeaker emit any strange odours or smoke, remove it from the line after having immediately switched the amplifier off.
- Do not connect this product to any equipment or accessories not foreseen. For suspended installation, only use the dedicated anchoring points and do not try to hang this loudspeaker by using elements that are unsuitable or not specific for this purpose.
Also check the suitability of the support surface to which the product is anchored (wall, ceiling, structure, etc.), and the components used for attachment (screw anchors, screws, brackets not supplied by CAV etc.), which must guarantee the security of the system/installation over time, also considering, for example, the mechanical vibrations normally generated by transducers.
- CAV strongly recommends this product is only installed by professional qualified installers (or specialized firms) who can ensure a correct installation and certify it according to the regulations in force. The entire audio system must comply with the current standards and regulations regarding electrical systems.

注意事项

连接和使用本产品之前,请仔细阅读本产品说明书,以备将来参考。本手册为本产品不可分割的一部分,必须按照说明书的提示调整其产品的正确的安装和使用以及相关的安全注意事项。

CAV 对不正确的安装和使用将不会承担任何责任

警告: 避免接触火源或遭受电击,请勿让本产品淋雨或受潮

安全操作注意事项

- 所有的事项特别是安全注意事项,必须仔细阅读说明书中提供的重要信息
- 禁止在没有安装和连接音箱时开启功放,音箱设备线材(功放输出)内配有高的电流以免陷入电击的危险。
- 确保所有连接正确,扬声器的输入阻抗是适合功放的输出。
- 防止音响线材受损;确保他们在适合的位置避免被物品踩踏或挤压。
- 确保没有物体或液体可以进入到产品,否则会引起短路。
- 如果不按照说明书描述,禁止进行任何操作、修改或修理本产品。
发生下列情况请与被授权的服务中心或者专业人士联系:
 - 音响工作异常。
 - 线材被损坏。
 - 物体或液体进入箱体。
 - 音响由于超负荷运行或火灾而损害
- 如果音响设备发出任何奇怪的气味或烟,应立即关闭功放后在将线材移出。
- 不要将本产品连接到任何设备或无法预见的辅助程序。
只有用专用电葫芦才能悬浮安装,禁止使用不适合或者不是本产品特定的装置来悬挂音响。
机械振动通常由换能器生成的,随着时间的推移,为了确保产品安装的安全,请检查支撑音箱安装面的固定(墙壁、天花板、建筑物等)以及附件的组成(螺旋锚、螺丝,括号中不是由CAV公司提供)
- CAV 强烈建议本产品只能由专业的安装人员(或专业公司)进行安装才可以确保正确安装并且确保其按照规定生效整个音频系统必须遵照有关电力系统的电流标准和法规

10..Mechanical and electrical factors need to be considered when installing a professional audio system (in addition to those which are strictly acoustic, such as sound pressure, angles of coverage, frequency response, etc.).

11.Hearing loss

Exposure to high sound level can cause permanent hearing loss. The acoustic pressure level that leads to hearing loss is different from person to person and depends on the duration of exposure.

To prevent potentially dangerous exposure to high levels of acoustic pressure, anyone who is exposed to these levels should use adequate protection devices.

When a transducer capable of producing high sound levels is being used, it is necessary to wear ear plugs or protective earphones.

See the technical specifications in the instruction manual for the maximum sound pressure the loudspeaker is capable of producing.

12. To ensure a correct sound reproduction, loudspeaker phase is to be respected (loudspeaker are connected respecting the amplifier polarity). This is important when loudspeaker are installed adjacent one another, for instance, in the same room.

13. To prevent inductive effects from causing hum, noise and a bad system working, loudspeaker lines should not be laid together with other electric cables (mains), microphone or line level signal cables connected to amplifier inputs.

14. The loudspeaker cable shall have wires (twisted, if possible, to reduce inductive effects due to surrounding electro-magnetic fields) with a suitable section and a sufficient electrical insulation. Refer to local regulations since there may be additional requirements about cable characteristics.

15..Do not connect the loudspeaker low impedance (8Ω) input to a 70/100V constant voltage line.

16. Install this loudspeaker far from any heat source.

17. Do not overload the loudspeaker with too much power.

18. Do not use solvents, alcohol, benzene or other volatile substance for cleaning the external parts of this product. Use a dry cloth.

10. 安装专业音响系统时需要考虑到机器和电力因素(除了那些严格地声学之外,还有声压、覆盖角度、频率响应,等等)

11. 听觉损耗

长期处于高频会导致永久性的听力损失. 声压级导致听力损失是因人而异,也取决于持续的时间.

防止暴露于高频的声压造成的潜在危险. 人们应使用相应的保护设备.

当换能器被使用产生特别高的声音,有必要戴耳塞或耳机保护. 请参照产品说明书的技术参数来调整音响的最大声压.

12. 在一个房间同时使用两个或多个以上的音箱时, 链接扬声器要按照功放的正极性链接, 以上事项非常重要才能确保声音的重合性

13. 防止感应效应导致底噪, 扬声器的线材不应与其他电缆, 麦克风线或信号线一同放置

14. 扬声器线缆应当具有合适材料和充分绝缘性能的多芯线缆(如果允许, 应当是绞合线, 能减少由于周围电磁干扰所带来的电感)。但考虑到当地的规定, 应当还有额外的线缆属性需求

15 禁止使用70/100V定压功放连接到低于标称阻抗为8Ω的音向上

16 安装扬声器远离热源

17 禁止超出扬声器的额定功率

18 禁止用溶剂, 酒精, 苯或者其他挥发性物质清洗产品的外部. 应使用干布.

INSTALLATION

安装



Loudspeakers are to be installed securely by qualified personnel, respecting all safety standards. Make sure the support structure (wall/ceilings) has the necessary mechanical characteristics for the loudspeaker weight, without the risk of a fall that could damage things or cause an injury. Use attachments elements suitable for walls/ceilings (e.g. wall plugs for bricks, concrete, etc.).

Do Not suspend a loudspeaker by using only one of its hooking points.

-Apply a thread-locker liquid on the threaded part of screw (or knobs).

-Apply rubber washers between the cabinet and the U-bracket.

-Tighten the 2 screws (or knobs) firmly in the appropriate inserts.

To suspend loudspeaker through 3 M8 eyebolts:

-Remove the 2 M8 screws on the upper side and the one on the rear side.

-Apply a thread-locker liquid on the threaded part of screws (or knobs).

Tighten the 3 M10 eyebolts firmly into the inserts on the upper and rear sides

安装时必须由专业人士进行安装, 遵守所有安全标准. 确保墙壁或天花板能承受扬声器的重量. 避免音掉掉落, 损害物品或砸伤人的事件出现. 使用辅助附件适合墙壁件或天花板.

禁止将扬声器悬挂在挂钩上.

悬挂音箱配有3个8毫米的

吊环螺栓:

-将8毫米的螺丝安装在箱子的上侧和侧面

-应用螺纹锁的液体将螺丝与螺丝扣分开.

-在将吊环螺栓分别插入上侧和侧面, 扣紧即可。

CONNECTIONS 连接件



WARNING: loudspeaker connections should be only made by qualified and experienced personnel having the technical know-how or sufficient specific instructions (to ensure that connections are made correctly) in order to prevent any electrical danger.

To prevent any risk of electric shock, do not connect loudspeakers when the amplifier is switched on.

Before turning the system on, check all connections and make sure there are no accidental short circuits.

The entire sound system shall be designed and installed in compliance with the current local laws and regulations regarding electrical systems.

COMPACT DC series loudspeakers are designed for indoor use only. If installed outdoor, loudspeakers shall be protected against water.

On the rear panel there are 2 sockets (input and output, linked in parallel) for 'Neutrik Speakon NL4'(4-pole)plugs.

The impedance value of each loudspeaker is 8Ω

警告：为了防止任何触电危险，扬声器连接只能由具有有经验有专业技能的人士来完成，以确保音响的正确连接。

当功放正在运行时禁止触碰扬声器。以防止电击。

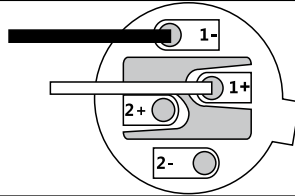
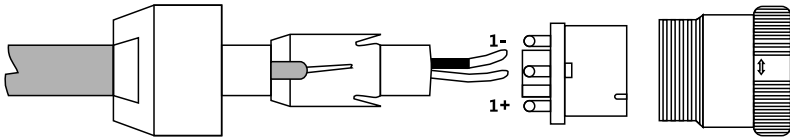
在开启系统之前，请检查连接器并确保没有发生短路现象。

整体的音响系统应符合当地电力系统的法律法规的条件下被设计和安装。

紧凑型DC系列音响仅适用于室内，如果在户外进行安装，应确保扬声器不会进水。

音响的后面板有2个并行的连接Neutrik Speakon NL4 的输入和输出插头

每一个扬声器的标称阻抗为8Ω



Connect the positive wire (amplifier '+' output) to the pin 1+ of the SPEAKON connector.

Connect the negative wire (amplifier '-' output) to the pin 1- of the SPEAKON connector.

The pins 2+ and 2- in parallel used

正极线（功放“+”输出）连接到the pin 1+ of the SPEAKON connector.

负极线（功放“-”输出）连接到 the pin 1- of the SPEAKON connector

引脚2+和2- 并联使用

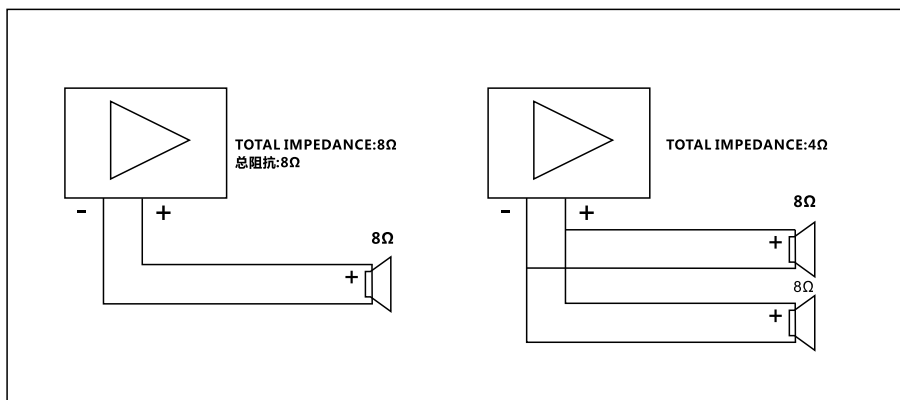
NOTES ABOUT LOW IMPEDANCE CONNECTIONS

关于标称阻抗连接的注意事项



- The total loudspeaker impedance must not be lower than the amplifier output impedance. Note: a loudspeaker total impedance equal to the amplifier output one permits to get the maximum deliverable power (but an higher loudspeaker impedance entails less power).
- The total loudspeaker power shall be adequate for the maximum deliverable power of the amplifier.
- The loudspeaker line shall be short (for long distances, it may be necessary to use cables with large cross-section wires)

- 扬声器的总标称阻抗禁止低于功率输出的标称阻抗。注意：当扬声器阻抗与功放输出阻抗一致时，功率输出最大。高阻抗扬声器会减少功率输出。
- 总扬声器的功率应适合功放的最大传输功率。
- 扬声器线材应缩短（对于长距离，应使用更粗的电缆）。

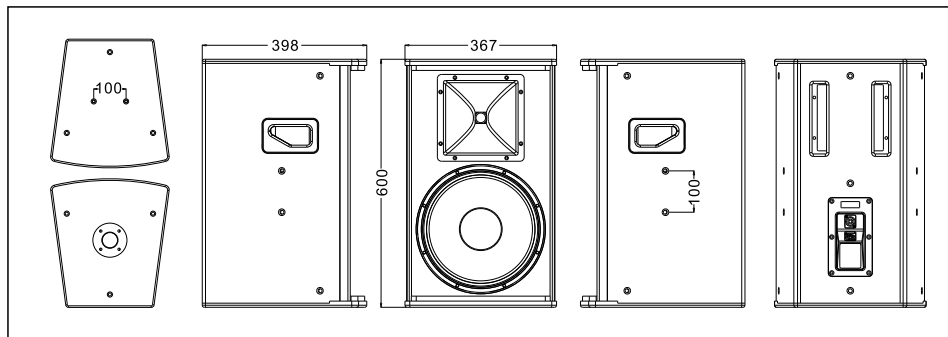


- Always use cables having wires with an adequate cross-section, considering the cable length and the total loudspeaker power.
- Loudspeaker lines must be kept separated from the mains cables, microphone cables or others, in order to avoid inductive phenomena may cause hum or noises.
- Use loudspeaker cables with twisted wires to reduce hum caused by inductive effects due to coupling with electromagnetic fields.
- Do Not connect the low impedance input directly to 70/100 V constant voltage lines.

- 电缆的使用，要考虑到电缆的长度 横截面及音响的总功率。
- 音响的线材必须与主电缆线，麦克风线和其他的线材保持分离，为了避免电磁感应现象导致的底噪或噪音。
- 使用扬声器线缆中的双绞线来减少底噪
- 禁止使用70/100V定压功放连接到低于标称阻抗为8Ω的音响上



DC-60



产品型号：DC-60

系统类型：2 分频 2 单元全频后倒相式

额定功率：350W

音乐功率：700W

峰值功率：1400W

标称阻抗：8Ω

推荐放大器额定输出功率：500W—700W@8Ω

标称灵敏度 (1W@1m)：97dB

最大声压级：122dB@350w(128dB@1400w)

频率带宽(-10dB)：50Hz—23KHz

标称指向性(-6dB)：90°H×60°V

换能器配置

铁氧体高频驱动器 1.4" (36mm 音圈 90mm 磁钢) ×1

铁氧体低频驱动器 12" (65mm 音圈 156mm 磁钢) ×1

号角装配：可 90 度旋转安装

分频模式：被动式两分频

连接器：SPEAKON NL4×1 (PIN1+/POSPIN1-/NEG)

箱体材质：15mm (0.6") 高品质中纤板

颜色：默认为黑色环保聚脲喷涂，可按要求订制其他颜色

吊装螺丝：M8x19pcs (顶板 5+底板 3+后板 3+左板 4+右板 4)

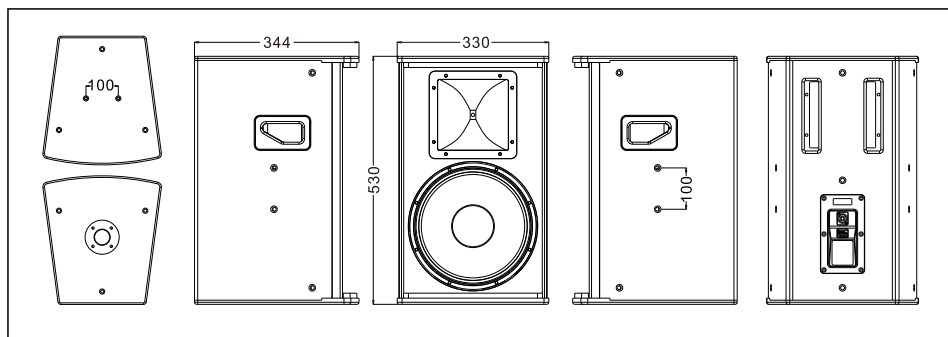
脚垫：无脚垫

产品尺寸：W367 x D398 x H600(mm)

净重/每只：20.7kg



DC-50



产品型号：DC-50(黑色)

系统类型：2分频2单元全频后倒相式

额定功率：300W

音乐功率：600W

峰值功率：1200W

标称阻抗：8 Ω

推荐放大器额定输出功率：400W—600W@8 Ω

标称灵敏度 (1W@1m)：96dB

最大声压级：121dB@300w(127dB@1200w)

频率带宽 (-10dB)：55Hz—23KHz

标称指向性 (-6dB)：90°H×60°V

换能器配置：高频驱动器1.4" (36mm音圈90磁) ×1

低频驱动器10" (65mm音圈156磁) ×1

分频模式：被动式两分频

连接器：SPEAKON NL4×1 (PIN1+/1- PIN2+/2- NC)

箱体材质：15mm (0.6") 高品中纤板

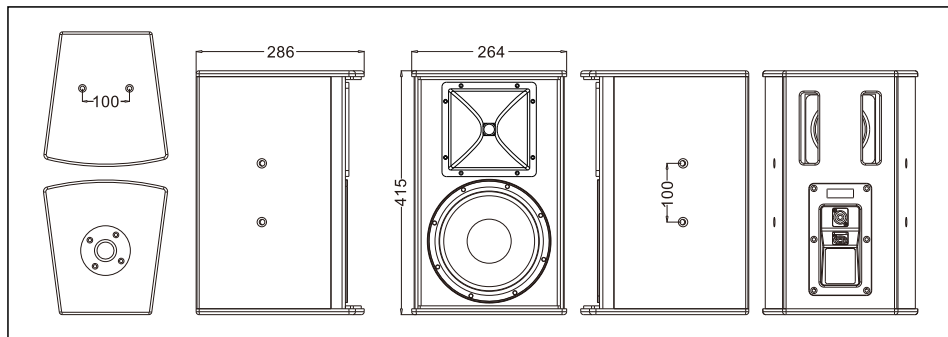
颜色：默认为黑色环保聚氨酯，可按要求订制其他颜色

产品尺寸：W330 x D344 x H530(mm)

净重：18.6kg



DC-30



产品型号：DC-30

系统类型：2分频2单元全频后倒相式

额定功率：250W

音乐功率：500W

峰值功率：1000W

标称阻抗：8 OHMS

推荐放大器额定输出功率：300W—500W@8 OHMS

标称灵敏度 (1W@1m)：95dB

最大声压级：120dB@250w(126dB@1000w)

频率带宽 (-10dB)：80Hz—20KHz

标称指向性 (-6dB)：100°H×60°V

换能器配置：高频驱动器1.4" (36mm音圈90磁) ×1

低频驱动器8" (50mm音圈140磁) ×1

分频模式：被动式两分频

连接器：SPEAKON NL4×1 (PIN1+/1- PIN2+/2- NC)

箱体材质：15mm (0.6") 高品中纤板

颜色：默认为黑色耐磨防水聚脲喷涂，可按要求订制其他颜色

产品尺寸：W264mm*D286mm*H415mm

净重：11.9kg

参考应用领域：适合多功能厅、礼堂、报告厅、会议室、KTV等固定安装

更多信息请浏览CAV官网 www.cav-sh.com

400 139 1828

注意：CAV 保留在不作任何预先通知的情况下对规格和外型进行修改。
NOTE: THE SPECIFICATIONS AND APPEARANCE ARE SUBJECT TO CHANGE WITHOUT PRIOR NOTICE.