

KNX Smart LCD Panel Q3 Technical Specification

Q3 (Gray)

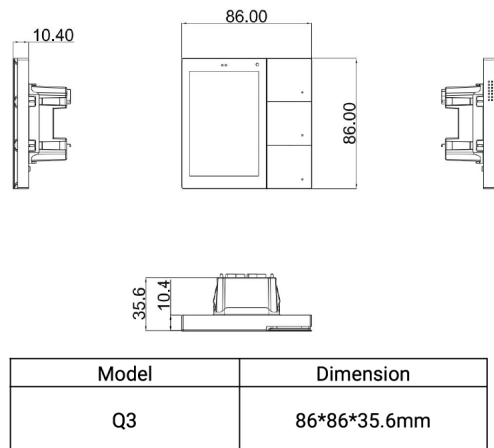
The worldwide STANDARD for home and building control CHARACTERISTICS

- 3.3 inch color IPS capacitive touch screen, with high resolution 480×320
- Support basic control functions including switch, dimming, blinds, value sender, color temperature, color control(RGB,RGBW,RGBCW), audio control, room temperature control, Air conditioner, Ventilation System control, Air quality
- 8 Scene Group functions, 8 Logic functions
- 8 voice reminder functions
- 20 generic IO functions
- The keys can be used as shortcuts for the touch screen
- Panel locking and Screensaver
- Built-in temperature sensor, proximity sensor, brightness sensor
- Support SIP intercom
- OTA upgrade available
- Support the KNX Data Secure

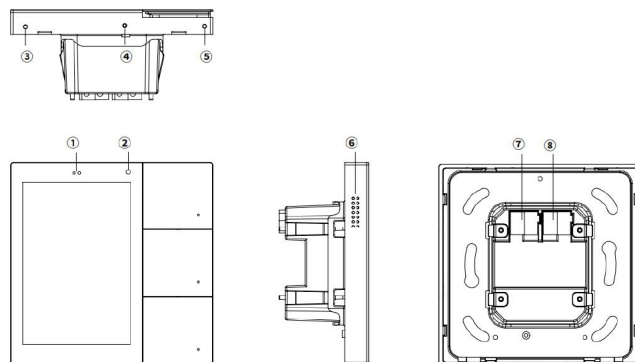
PARAMETERS

| | | | | |
|---------------------------|--------------------------|---------------------------------------|---------------|--|
| Power Supply | Bus voltage | 21-30V DC, via the KNX bus | | |
| | Bus current | <4mA/24V, <3mA/30V | | |
| | Bus consumption | <90mW | | |
| Auxiliary Supply | Voltage | 12-30V DC | | |
| | Current | <95mA/24V, <80mA/30V | | |
| | Consumption | <2.4W | | |
| Connection | KNX | Bus connection terminal(Red/Black) | | |
| | Auxiliary Supply | Bus connection terminal(Yellow/White) | | |
| Proximity sensor | Normal:30cm | Standard:50cm | Enhanced:80cm | |
| Temperature sensor | -40-80°C | | | |
| Humidity sensor | 0-100% | | | |
| Temperature | Operation | - 5 °C ... + 45 °C | | |
| | Storage | -25 °C ... + 55 °C | | |
| | Transport | - 25 °C ... + 70 °C | | |
| Environment | Humidity | <93%, except dewing | | |
| Installation | 86 type wall-mounted box | | | |

DIMENSIONS



DESCRIPTIONS



- ① Proximity sensor
- ② Brightness sensor
- ③ Reset button
- ④ Microphone
- ⑤ Internal temperature sensor
- ⑥ Loudspeaker
- ⑦ KNX bus connection terminal
- ⑧ Auxiliary supply connection terminal

INSTALLATION FIGURE

KNX Smart Touch Q3 can be installed in a 86 type wall-mounted box. It requires not only KNX bus powered, but also requires a 12- 30V DC auxiliary power supply. It is available to assign the physical address by engineering design tools ETS with .knxprod (higher than edition ETS 5.7). Must ensure that the device operation, testing, detecting, maintenance correctly.

It is recommended that the touch panel be installed at a height of approximately 120~140cm from the floor and at a horizontal distance of 15~20cm from the door frame. It is not permitted to install the touch panel in a place where it is in direct contact with liquids.

IMPORTANT INFORMATION

Installation and commissioning of the device may only be carried out by trained electricians. The relevant standards, directives, regulations and instructions must be observed when planning and implementing the electrical installation.

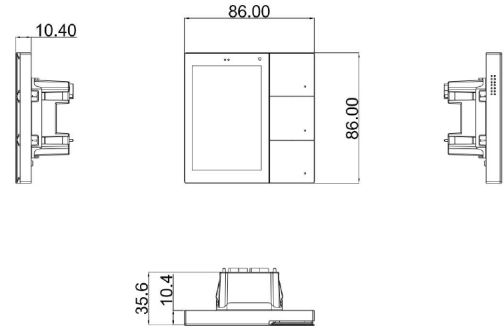
- Protect the device against moisture, dirt and damage during transport, storage and operation!

- Do not operate the device outside the specified technical data (e.g. temperature range)!

Should the device become soiled, it may be cleaned with a dry cloth. If this does not suffice, a cloth lightly moistened with soap solution may be used. On no account should caustic agents or solvents be used.

KNX智能液晶面板Q3技术规格书

适用型号：
Q3（静谧灰）



| 型号 | 尺寸 |
|----|--------------|
| Q3 | 86*86*35.6mm |

国际标准的家庭和楼宇控制系统

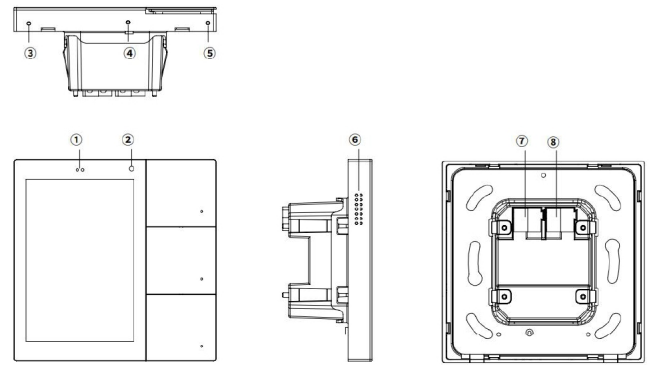
产品功能

- 3.3寸彩色 IPS 电容式触摸屏，分辨率 480×320
- 支持基本控制功能，包含开关、调光、窗帘、值发送、色温、颜色控制(RGB、RGBW、RGBCW)、背景音乐、温控功能、空调控制、新风系统控制、并支持空气质量传感器检测值显示
- 8个场景组功能、8个逻辑功能
- 8个语音提醒功能
- 20个通用 IO 功能
- 按键可作为触摸屏的快捷键使用
- 具有屏保和锁屏功能
- 内置温度传感器、靠近感应传感器、亮度传感器
- 支持 SIP 对讲
- 支持 OTA 升级
- 支持 KNX 安全协议

技术参数

| | | |
|--------|----------------------------|-----------------------|
| 总线电源 | 总线电压 | 21-30V DC, 由 KNX 总线提供 |
| | 总线电流 | <4mA/24V, <3mA/30V |
| | 总线功耗 | <90mW |
| 辅助电源 | 电压 | 12-30V DC |
| | 电流 | <95mA/24V, <80mA/30V |
| | 功耗 | <2.4W |
| 连接 | KNX | 总线连接端子(红/黑) |
| | 辅助电源 | 总线连接端子(黄/白) |
| 靠近感应距离 | 普通: 30cm 标准: 50cm 增强: 80cm | |
| 温度传感器 | | -40-80°C |
| 湿度传感器 | | 0-100% |
| 温度范围 | 运行 | -5°C ... +45°C |
| | 存储 | -25°C ... +55°C |
| | 运输 | -25°C ... +70°C |
| 环境条件 | 湿度 | <93%, 结露除外 |
| 安装 | 86 嵌墙底盒 | |

接线图



- ① 靠近感应
- ② 光感
- ③ 复位按键
- ④ 麦克风
- ⑤ 温度传感器
- ⑥ 喇叭
- ⑦ KNX 总线连接端子
- ⑧ 辅助供电连接端子

安装说明

KNX 智能屏 Q3, 安装在 86 嵌墙底盒中, 它不仅需要 KNX 总线供电, 而且还需要一个 12-30V DC 的辅助电源供电。参数的设置和物理地址的分配可以使用带有.knxprod 文件的工程设计工具软件 ETS (版本 ETS 5.7 或以上)。安装时必须确保辅助供电和总线连接正常、设备工作正常。

建议触摸面板安装距地面大约 120~140cm 高度的位置和距门框水平距离 15~20cm 的位置。触摸面板不允许安装在与液体直接接触的地方。

重要提示

安装和调试设备只能由合格的熟练电工来操作。在计划与实施电气安装的过程中相关的标准、指令、规则和指示都要严格执行。

- 需要避免器件在运输、储存、使用的过程中受潮、脏污以及受损。
- 不要使器件运行在指定的技术指标之外 (例如温度范围)。

当设备脏污时, 只可以使用干燥的布来清洁。如果这样不足以清洁干净, 可以使用湿布蘸少许肥皂溶液轻轻擦拭。绝不能使用碱剂或者腐蚀性溶剂。